

Technical Specifications



ST-IPB14718-IR/F/P/A

1.4 MP Network Bullet IR Camera

ST-IPB14718-IR/F/P/A

1.4 MP Network Bullet IR Camera



Technical Specifications

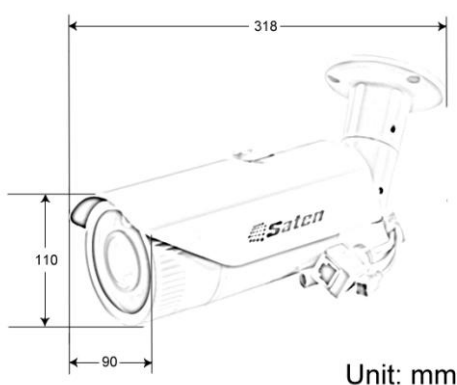
ST-IPB14718-IR/F/P/A*

Camera	
Megapixel	1.4MP
Image Sensor	1/3" 1.4 megapixels Progressive Scan Sony CMOS
Max. Video Resolution	1280x1024
Scanning System	Progressive
Min. illumination	0.01Lux/F1.2 (Color), 0.001Lux/F1.2(B/W); 0Lux/F1.2 (IR on)
Electronics Shutter Speed	Auto (1/25,1/30 ~ 1/10000s)
S/N Ratio	>50dB
Day/Night Switch	Auto Color to B/W
Backlight Compensation	BLC / HLC / WDR (digital)
WDR	Digital WDR (>120db)
Noise Reduction	2D, 3D
AGC	Support
AWB	Support
Privacy Masking	Up to 4 Areas
Lens	
Focal Length	4mm,6mm, 8mm, 12mm or 2.8-12mm optional
Max Aperture	F1.4
Focus Control	Manual
Angle of View	92°~ 20°
Lens Type	Manual Iris
Mount Type	Board-in Type
Compression Standard	
Video Compression	H.264 Main Profile, Baseline / MJPEG
Video Definition	Main stream:1280x1024, 1280x720 ; Sub stream: 720x576,640x480,320x240
Video Bit Rate	32KB ~16Mbps, support VBR, CBR Main stream: 1280x1024 (1~25/30fps), 1280x720 (1~25/30fps) Sub stream: 720x576,640x480,320x240 (1~25/30fps)
Frame Rate	
Network	
Max Users	10 users
Protocols	IPv4/IPv6, HTTP, TCP/IP, UDP, RTP, RTCP, UPNP, RTSP, SMTP, NTP, DHCP, DNS, PPPOE, DDNS, FTP,
Mobile view	Support iPhone, iPad, Android, Symbian
ONVIF	ONVIF Ver. 2.3
Other Features	Support defogging, image rotation 90° or 270°
Interface	
Network Interface	Ethernet, RJ-45 (10/100Base-T)
Memory Slot	Micro SD, Max 64GB
PoE	Optional
General	
Operating Conditions	-20 °C ~ 60°C
Power Supply	DC12V, POE (802.3af)
Power Consumption	≤6W
Ingress Protection	IP66
IR Parameters	Three big LED lights, 20 m
Dimensions	318mm x110mm x90mm
Weight	0.7KG

Key Features

- 1/3" 1.4 Megapixels Progressive Scan Sony CMOS
- Max 25/30fps@1.4 Megapixels (1280x1024).
- Varifocal Lens 2.8-12mm or Fixed lens 4/6/8/12 mm
- Digital WDR, 2DNR, 3DNR, AWB, AGC, BLC
- Three big LED lights, IR distance about 20 meters
- Support defogging, image rotation 90° or 270°

Dimensions



Accessories

(*) F : Vari-focal Lens is Optional P : Power over Ethernet (PoE) is Optional A : All Function (Audio & Alarm) are Optional



Saten Headquarter

London – United Kingdom

SATEN LIMITED

Fourth Floor, 30-31 Furnival Street

Post code: EC4A 1JQ

TEL: +448456769185

Saten / Europe

Czech – Karlovy vary

Long Safe s.r.o.

I.P.Pavlova 473/23

360 01 Karlovy vary

IČ : 291 57 838

Tel : +420776126891

Saten / Middle East

UAE – Dubai

SATEN FZCO

JAFZA - Al Aweer

TEL: +97143205447

:+971509559185

FAX: +97143205448

Saten / Hong Kong

Hong Kong

SATEN HK LIMITED

OFFICE 3A, 12/F, KAISER CENTRE, NO. 18

CENTRE STREET, SAI YING PUN , HONG KONG

TEL: +852- 81324111

FAX: +852- 81690207



www.saten.co.uk

sales@saten.co.uk